

1

2

3

4

5

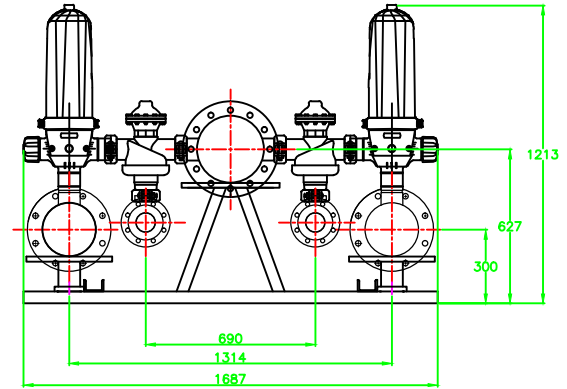
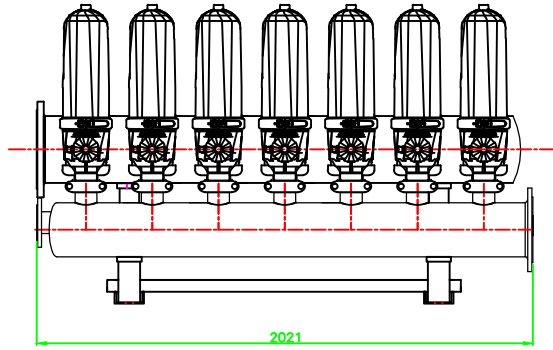
6

A

B

A

B

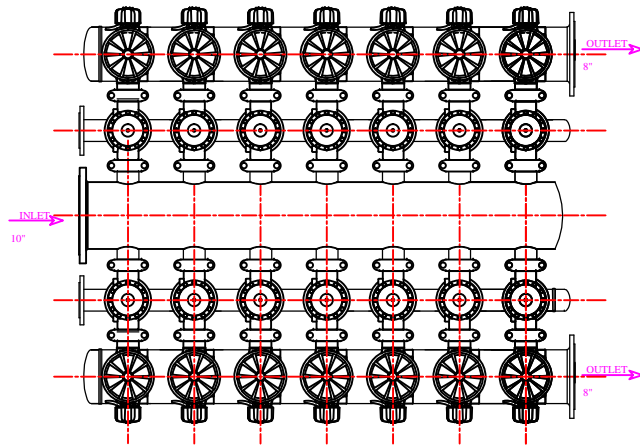


C

D

C

D



NOTES:

- 1. PIPING MATERIAL: PE, Carbon steel st, 304.
- 2. CONNECTION TYPE: ANSI 150# FLANGE.
- 3. MANUAL VALVES SHALL BE INSTALLED AT THE INLET AND OUTLET OF THE DISC FILTER.
- 4. THE DRAIN PIPE SHALL BE CONNECTED TO THE DRAINAGE SYSTEM.
- 5. POWER SUPPLY: 220V/1PHASE/50HZ.
- 6. CONCRETE FOUNDATION (HEIGHT: 200MM)
- 7. AND EXPANSION ANCHOR BOLTS ARE SUGGESTED FOR SITE INSTALLATION.

							Beijing Haiao Technologies Co.,Ltd				
标记	处数	分区	更改文件号	签名	DATE		HF-A3-14-10 DISCFILTER	MATERIAL	QUANTITY	HEIGHT	SCALE
R	内部评审版						DRG NO	/	1		1:1
A	初步设计						HF-A03-14-00-01				
REV	DESCRIPTION	DRSD	DATE	APPD	DATE	APPY	DATE	SHEET OF			

1

2

3

4

5

6