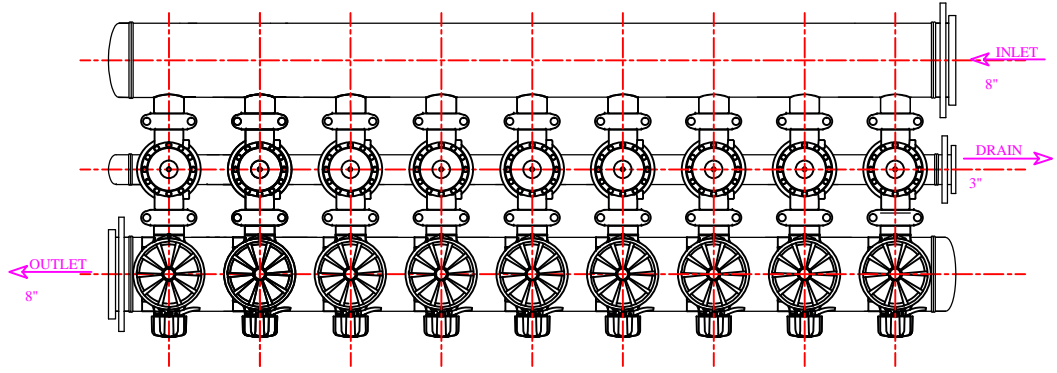
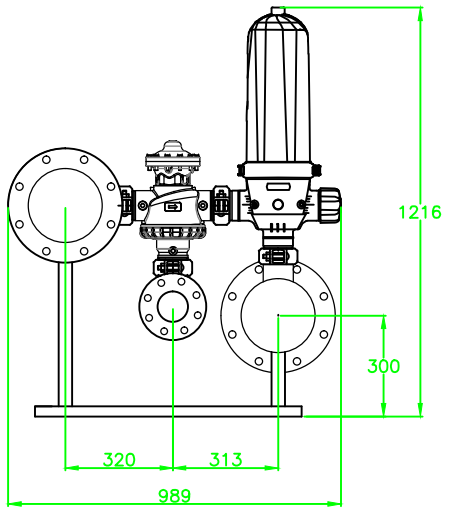


HF-K1.0



- NOTES:
1. PIPING MATERIAL: PE, Carbon steel st, 304.
  2. CONNECTION TYPE: ANSI 150# FLANGE.
  3. MANUAL VALVES SHALL BE INSTALLED AT THE INLET AND OUTLET OF THE DISC FILTER.
  4. THE DRAIN PIPE SHALL BE CONNECTED TO THE DRAINAGE SYSTEM.
  5. POWER SUPPLY: 220V/1PHASE/50HZ.
  6. CONCRETE FOUNDATION (HEIGHT: 200MM)
  7. AND EXPANSION ANCHOR BOLTS ARE SUGGESTED FOR SITE INSTALLATION.

							Beijing Haiao Technologies Co.,Ltd			
标记	处数	分区	更改文件号	签名	DATE	HF-A3-10-8 DISCFILTER	MATERIAL	QUANTITY	WEIGHT	SCALE
R	内部评审版					DRG NO	/	1		1:1
A	初步设计					HF-A03-8-00-01				
REV	DESCRIPTION	DESD	DATE	APPD	DATE	APPD	DATE	SHEET		OF