

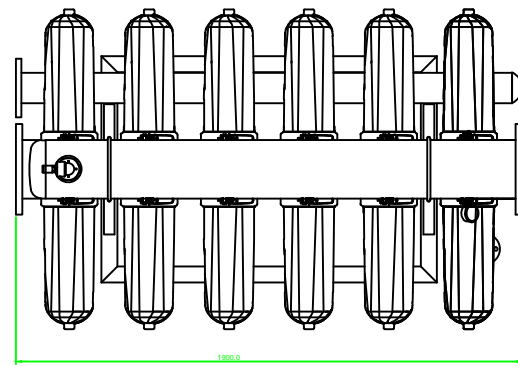
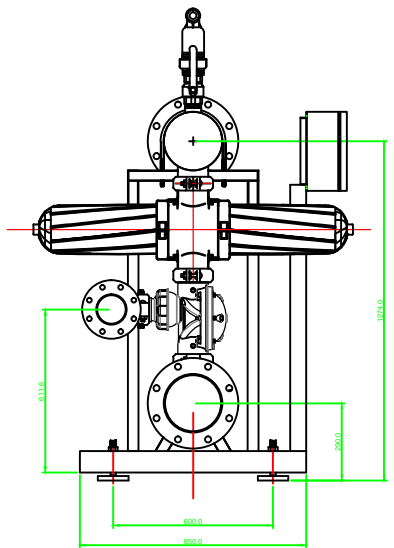
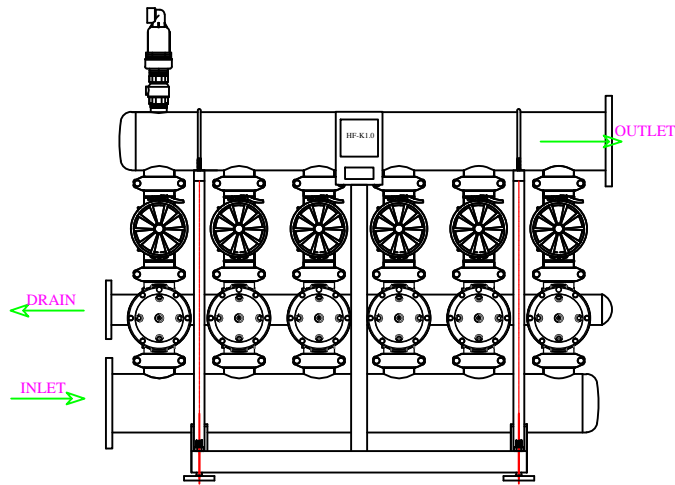
1                      2                      3                      4                      5                      6

A

B

C

D



- NOTES:  
 1. PIPING MATERIAL: HDPE , Carbon steel st, 304.  
 2. CONNECTION TYPE: ANSI 150# FLANGE.  
 3. MANUAL VALVES SHALL BE INSTALLED AT THE INLET AND OUTLET OF THE DISC FILTER.  
 4. THE DRAIN PIPE SHALL BE CONNECTED TO THE DRAINAGE SYSTEM.  
 5. POWER SUPPLY: 220V/1PHASE/50HZ.  
 6. CONCRETE FOUNDATION (HEIGHT: 200MM)  
 7. AND EXPANSION ANCHOR BOLTS ARE SUGGESTED FOR SITE INSTALLATION.

	Inlet Pipe 8"	1		
	Drain Pipe 4"	1		
	Outlet Pipe 8"	1		
NO.	Description	Quantity	Spec. & Material	Weight

							<b>Beijing Haiao Technologies Co.,Ltd</b>					
标记	处数	分区	更改文件号	签名	DATE		HF-A4-6-8 DISCFILTER		MATERIAL	QUANTITY	WEIGHT	SCALE
R	内部评审版						HF-A04-6-00-01		/	1		1:1
A	初步设计								SHEET OF			
REV	DESCRIPTION	DESD	DATE	APPD	DATE	APPD	DATE					

4                      5                      6

A

B

C

D