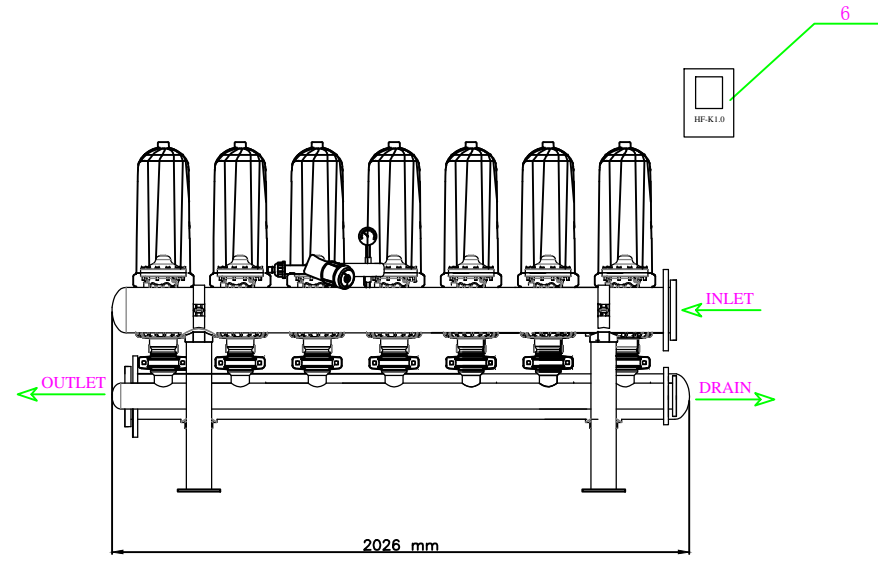


1                      2                      3                      4                      5                      6

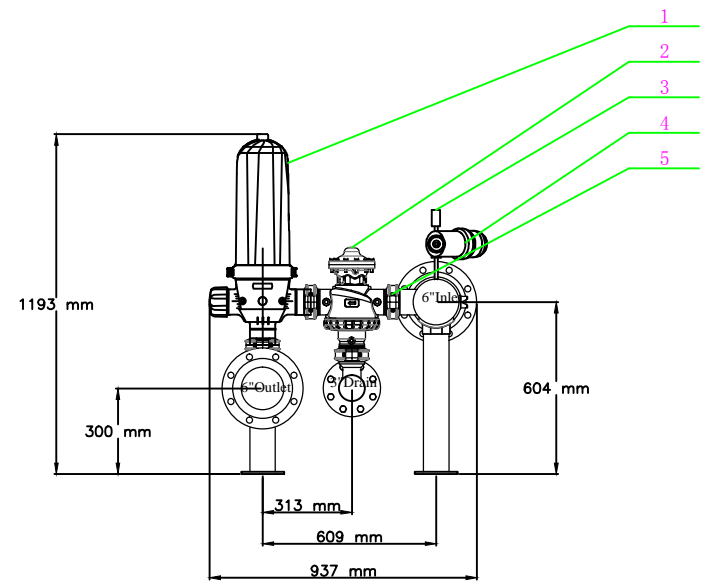
A

B

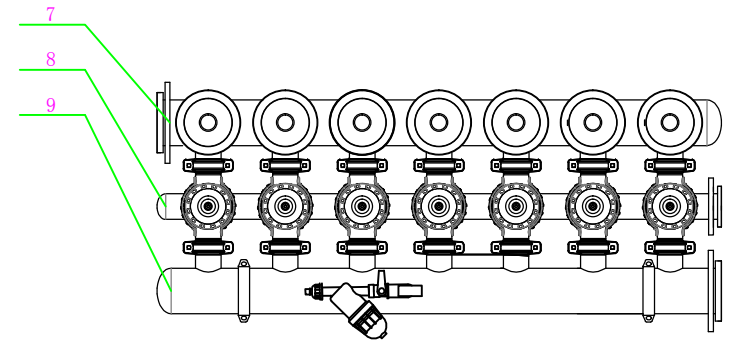


A

B



C



C

D

- NOTES:
1. PIPING MATERIAL: HDPE , Carbon steel st, 304.
  2. CONNECTION TYPE: ANSI 150# FLANGE.
  3. MANUAL VALVES SHALL BE INSTALLED AT THE INLET AND OUTLET OF THE DISC FILTER.
  4. THE DRAIN PIPE SHALL BE CONNECTED TO THE DRAINAGE SYSTEM.
  5. POWER SUPPLY: 220V/1PHASE/50HZ.
  6. CONCRETE FOUNDATION (HEIGHT: 200MM)
  7. AND EXPANSION ANCHOR BOLTS ARE SUGGESTED FOR SITE INSTALLATION.

9		Inlet Pipe 6"	1		
8		Drain Pipe 3"	1		
7		Outlet Pipe 6"	1		
6		HF-K1.0 Controller	1		
5		Couplings	28	Carbon steel st	
4		Water Source Filter	1	Reinforced Polyamide	
3		Pressure Gauge	2	SS304	
2		Backwash Valve	7	Reinforced Polyamide	
1		Disc Filter Unit	7	Reinforced Polyamide	
NO.		Description	Quantity	Spec. & Material	Weight

D

							Beijing Haiao Technologies Co.,Ltd			
							HF-A3-7-6 DISCFILTER			
							DWG NO			
							HF-A03-7-00-01			
							MATERIAL	QUANTITY	WEIGHT	SCALE
							/	1		1:1
							SHEET		OF	

4

5

6